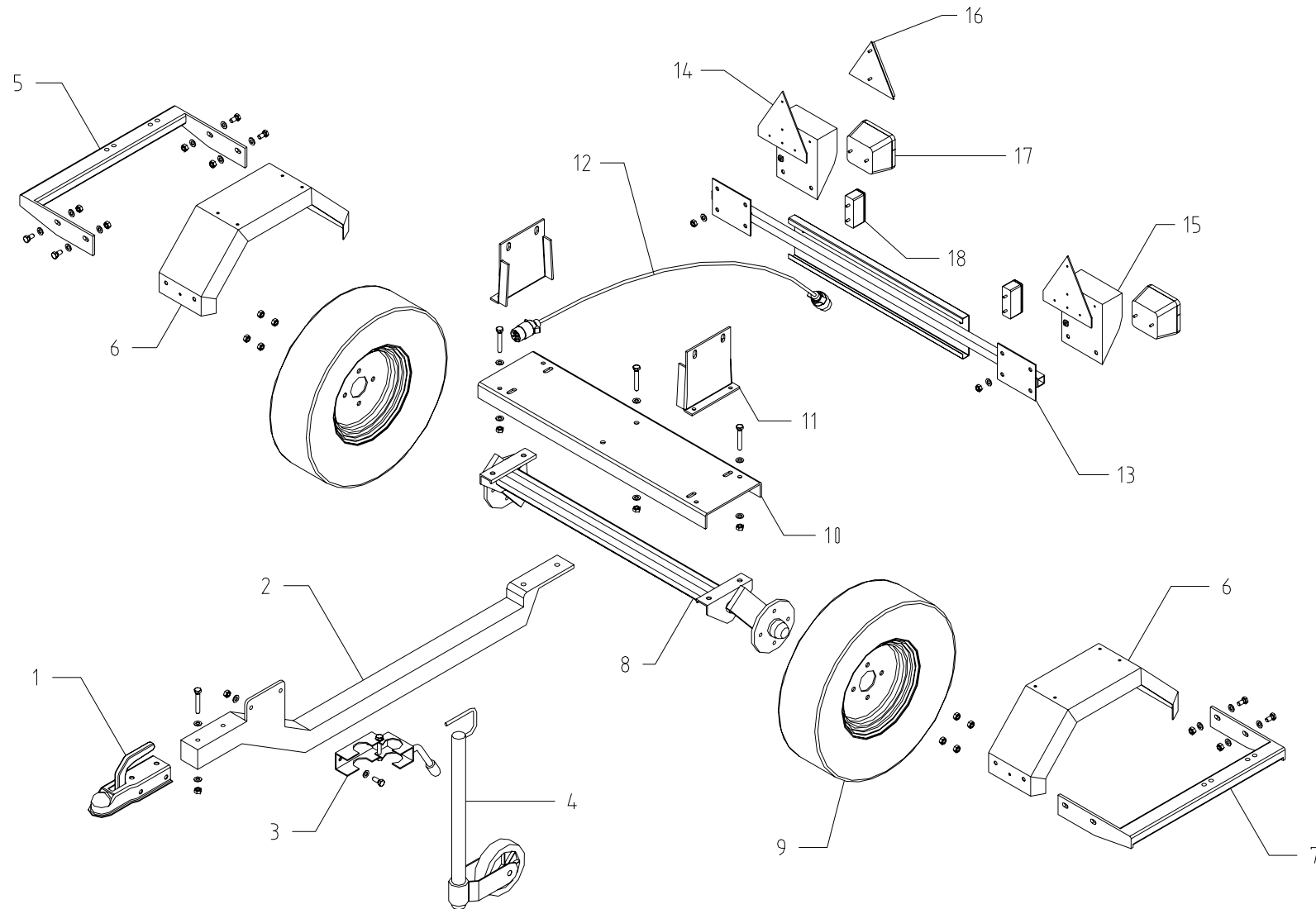


**BIO 230****Table 8 - Agricultural trailer**

| Pos. | Description                 | Q.ty | Code         |
|------|-----------------------------|------|--------------|
| 1    | AK joint                    | 1    | B19008001    |
| 2    | Drawbar                     | 1    | B19008002    |
| 3    | Jockey wheel support        | 1    | 014300300    |
| 4    | Jockey wheel                | 1    | 014300285    |
| 5    | Mud guard support DX        | 1    | B19008005    |
| 6    | Mud guard                   | 2    | 014300296    |
| 7    | Mud guard support SX        | 1    | B19008007    |
| 8    | Axle                        | 1    | B19008008    |
| 9    | Wheel                       | 2    | 014300279    |
| 10   | Frame                       | 1    | B19008010    |
| 11   | Machine support             | 2    | B19008011    |
| 12   | Cable                       | 1    | 014300293    |
| 13   | Agricultural lighting board | 1    | B19008013    |
| 14   | Reflecting support          | 2    | B300T05A0016 |
| 15   | Light box                   | 2    | B300T05A0003 |
| 16   | Rear reflecting             | 2    | 014300286    |
| 17   | Light                       | 2    | 014300289    |
| 18   | Light plate                 | 2    | 014300291    |

# BIO 230

## Table 8 - Agricultural trailer



# BIO 230

## Table 9 - Road trailer 80 Km/h



| Pos. | Description                | Q.ty | Code         |
|------|----------------------------|------|--------------|
| 1    | Towing coupler             | 1    | B300T06B0007 |
| 2    | Jockey wheel support d. 48 | 1    | B300T06B0010 |
| 3    | Jockey wheel d. 48         | 1    | B300T06B0008 |
| 4    | Axle                       | 1    | B23011004    |
| 5    | Wheel                      | 2+1  | 014300279    |
| 6    | Mud guard                  | 2    | 014300296    |
| 7    | Front reflecting           | 2    | 014300297    |
| 8    | Frame                      | 1    | B23011008    |
| 9    | Cable                      | 1    | 014300293    |
| 10   | Electric taking            | 1    | 014300295    |
| 11   | Lighting board protection  | 1    | 014300299    |
| 12   | Lighting board             | 1    | 014300280    |
| 13   | Light                      | 2    | 014300289    |
| 14   | Light plate                | 2    | 014300291    |
| 15   | Rear reflecting            | 2    | 014300286    |
| 16   | Light fog                  | 1    | 014300298    |
| 17   | Complete lighting assembly | 1    | B23011017    |
| 18   | Plate                      | 1    | B300T06B0020 |
| 19   | Wheel support              | 1    | B23011019    |

**BIO 230**

# Table 9 - Road trailer 80 Km/h

